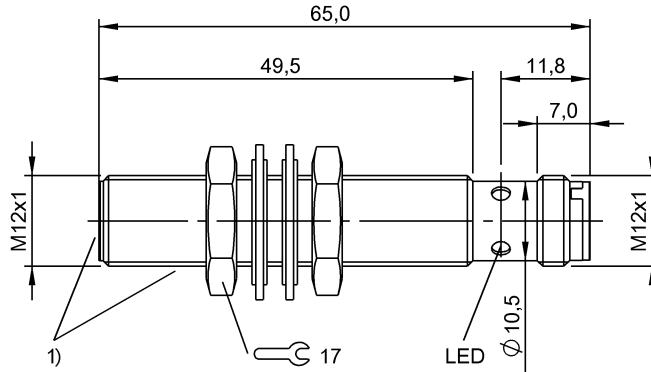


BES M12EI-PSC40B-S04G-S01
Ordering code: BES02NC

Inductive sensor
 Steelface
 M12x65 mm
 Pressure rated
 Weld immune

DC, direct current
 PNP/Normally open (NO)
 Sn= 4 mm
 Flush (shielded)
 ■■

BALLUFF
sensors worldwide



1) Area of pressure resistance

Characteristic data

Assured operating distance Sa	3,2
Eff. switching distance Sr	4,00 mm
Tolerance Sr	±10 %
Hysteresis H max. (in % of Sr)	15 %
Repeat accur. R max. (% of Sr)	5 %
Ambient temperature	-25...70 °C
Temp. drift max. (% of Sr)	10%
Switching freq. f max.	500 Hz
Ready delay tv max.	100 ms
Utilisation category	DC 13
Function indicator	Yes
Power indicator	No
Short-circuit protected	Yes
Protected against polarity reversal	Yes
Protected against miswiring	Yes
Enclosure Type per IEC 60529	IP67

Max. no-load cur. Io undamped	10 mA
Off-state current Ir max.	10 µA
Rated short circuit current	100 A
Output resistance Ra	33.0k + D
Load capacitance max. (at Ue)	1 µF

Mechanical data

Connection type	Connector
Connector type	M12x1-S04
Housing material	Stainless steel
Oberflächenschutz	PTFE coating
Sensing surface material	Stainless steel
Mounting length	49,5 mm
Pressure resistance	pressure-rated up to 60 bar
Shock rating	Shock, half-sinus, 30 gn, 11ms
Vibration rating	55 Hz, 1 mm ampl., 3x30 min
Degree of contamination	3
Tightening torque	10 Nm ±10%

Electrical data

Operating voltage	10...30 V DC
Ripple max. (% of Ue)	10
Rated operating voltage Ue DC	24,0 V
Voltage drop static max.	2,5 V
Rated insulation voltage Ui	75 DC
Effective operating current Ie	200 mA
No-load current Io damped max.	15 mA

Basic data

Basic standard	IEC 60947-5-2
----------------	---------------

Remarks

The sensor is functional again after the overload has been eliminated.
 For installation in metals see installation instruction 857785.
 With connector, e.g. BKS-S 20-... total length = switch length +18 mm.



BES M12EI-PSC40B-S04G-S01
Ordering code: BES02NC

Inductive sensor
Steelface
M12x65 mm
Pressure rated
Weld immune

DC, direct current
PNP/Normally open (NO)
Sn= 4 mm
Flush (shielded)
■ ■

BALLUFF

sensors worldwide

